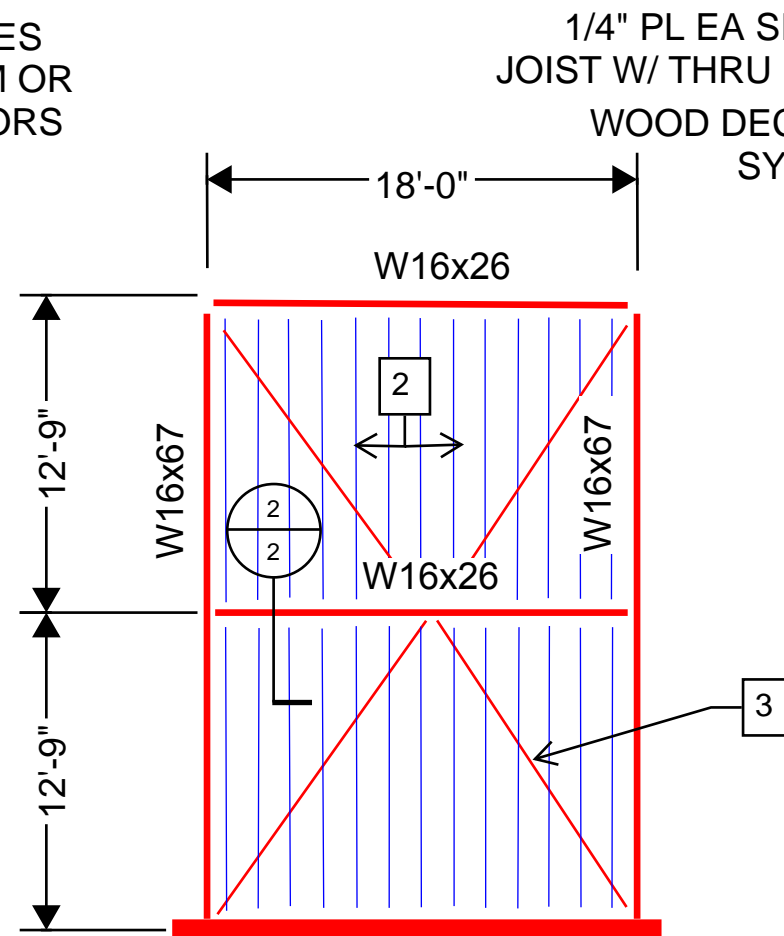
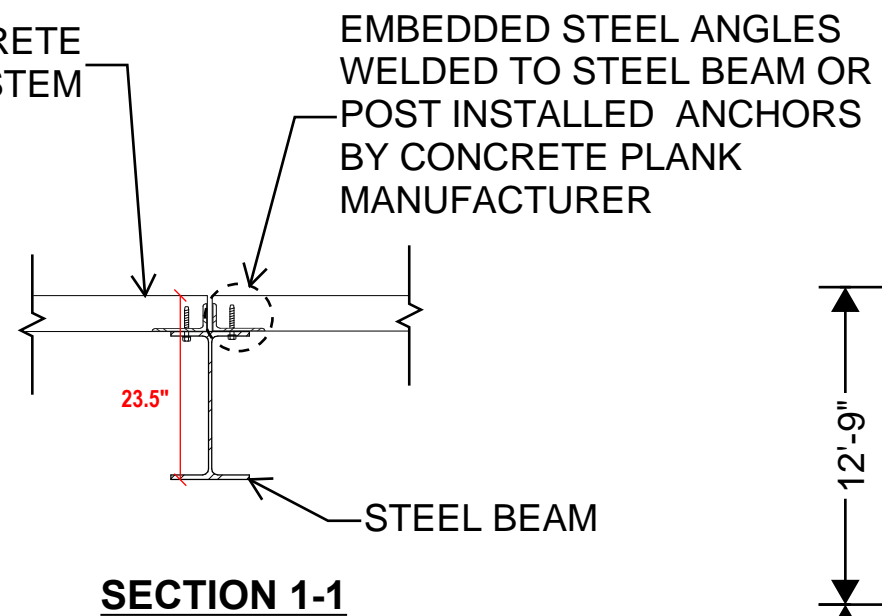
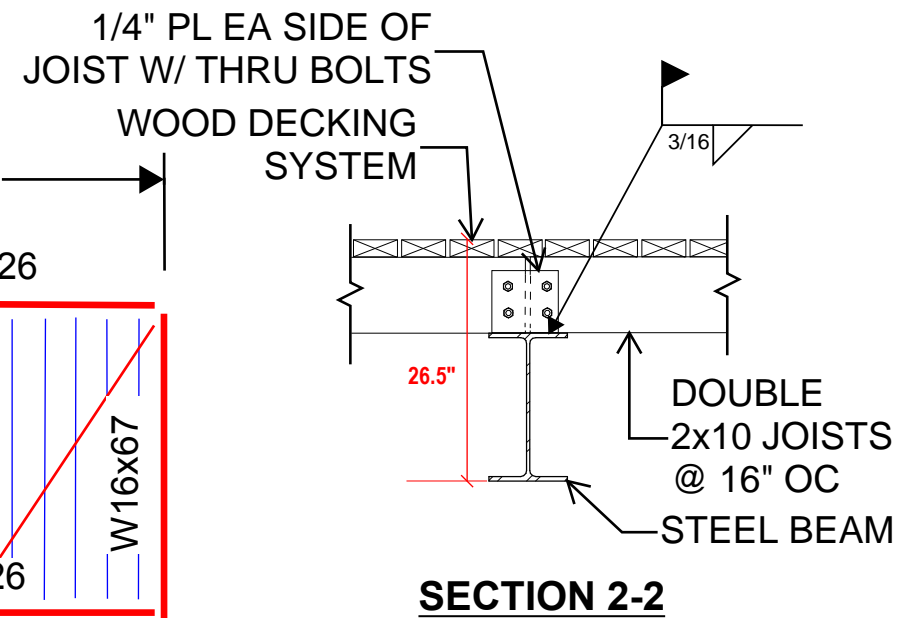


**OPTION 1: PERMATRAK
CONCRETE PLANKS**



**OPTION 2: RESYSTA
WOOD DECKING**



KEY NOTES	
NO.	NOTE
1.	5.5" PERMATRAK CONCRETE PLANKS OVER STEEL FRAMING
2.	WOOD DECKING SYSTEM OVER (2) 2x10 JOISTS @ 16" OC
3.	W10x12 BEAM FOR HORIZONTAL DIAPHRAGM AND BEAM BRACING (TYPICAL)

Title		Scale:
Project Number		
Date		